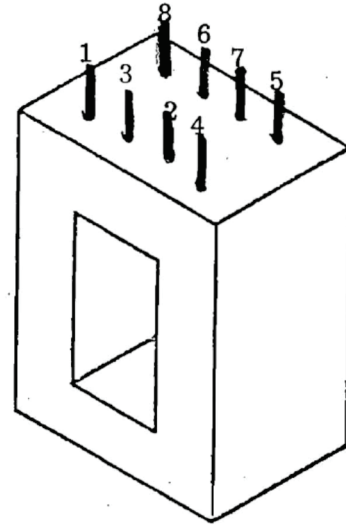
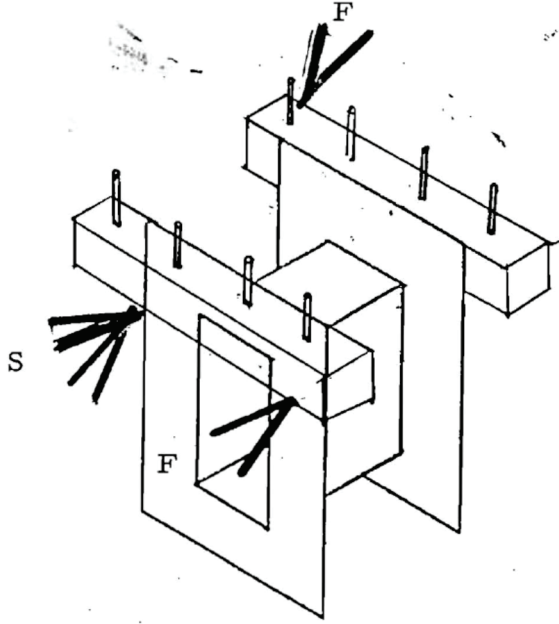


SPECIALISTS IN QUALITY AUDIO TRANSFORMERS

6687 Farmdale Ave., Bldg. 10 • North Hollywood, Ca. 91605 • Telephone: (213) 765-6040

BOBBIN 4778 Spacial (8 pin Horz. 1/2")
 CORE EI 21 - 29Ga.
 CASE MR 159-184-1224 MU
 TERMINAL PC Bobbin
 EMBEDMENT Sylgard or Wax

NO. 7983
 DATE October 17, 1979
 CUSTOMER NO. Central Dynamics
 SERVICE 600 ohm



	USE	DCR	WIRE	TURNS	TAP	INSULATION
1		////	30ga	300		