

SPECIALISTS IN QUALITY AUDIO TRANSFORMERS

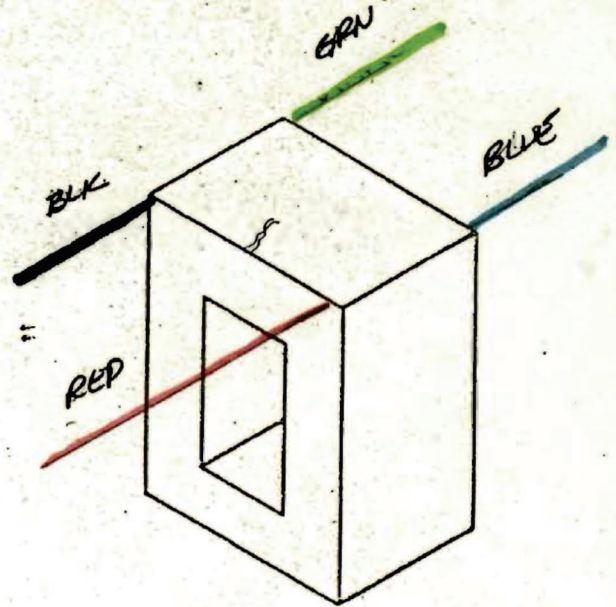
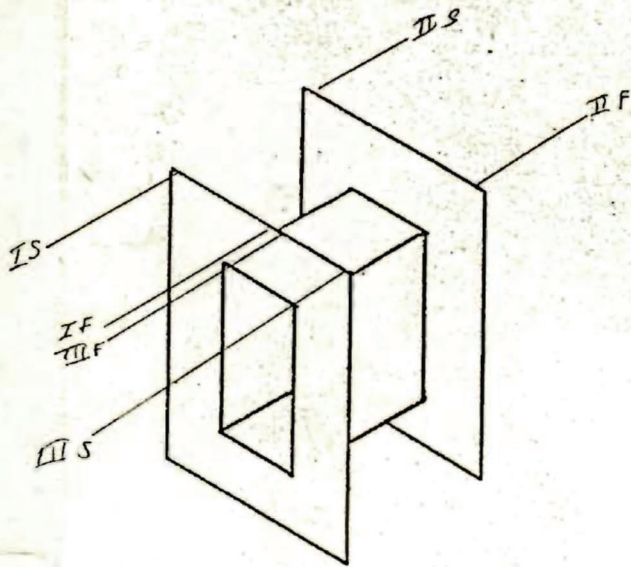
6887 Farmdale Ave., Bldg. 10

North Hollywood, Ca. 91605

Telephone: (213) 765-6040

BOBBIN NY-2
 CORE LE 28-29 .014 HI NI
 CASE ORANGE TAPE
 TERMINAL LEADS
 EMBEDMENT _____

NO. 7923
 DATE FEB 26 1979
 CUSTOMER NO. VEGA
 SERVICE 300R MIC MATCH



	USE	DCR	WIRE	TURNS	TAP	INSULATION
1	PR1		41	426		
"	SEC		48	11500		