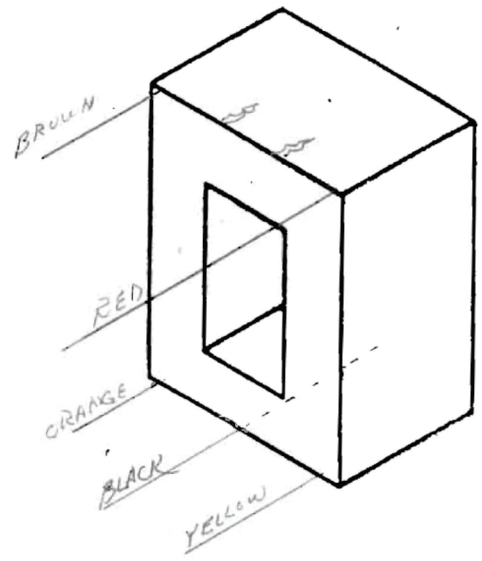
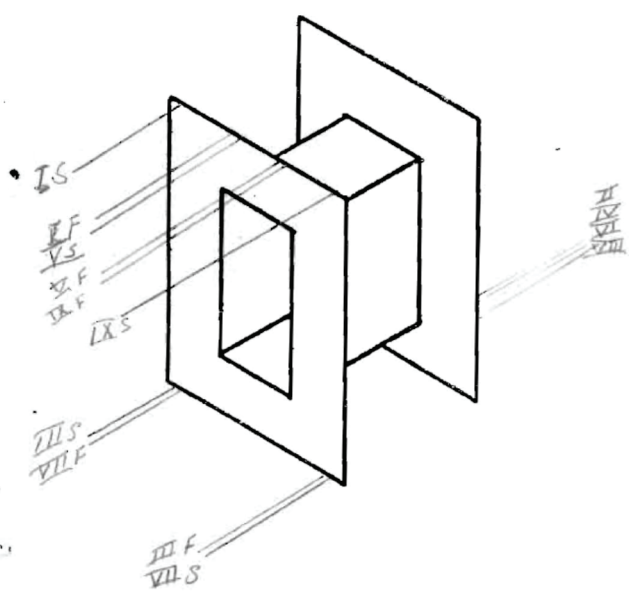


BOBBIN NY-7
 CORE FE 375 .014 H1 N1
 CASE HE32
 TERMINAL LEADS
 EMBEDMENT WAX + CQ

NO. 7743
 DATE APR 11 1977
 CUSTOMER NO. _____
 SERVICE 1:1



	USE	DCR	WIRE	TURNS	TAP	INSULATION
I	PR1		36	540	-	2L .0007K
II	SHIELD		0007CU	1	-	3L .0007K
III	SEC		45SS	2028	-	5L .0007K