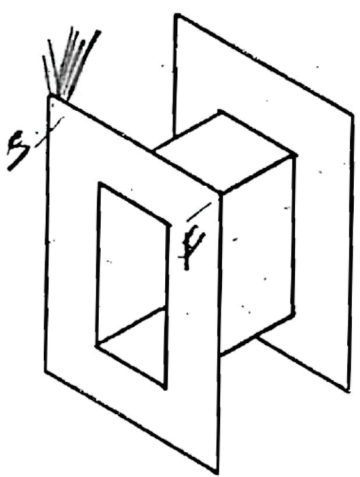


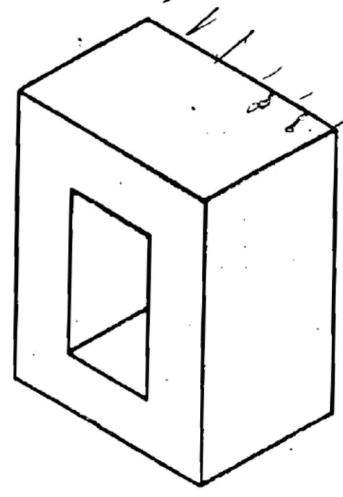
*File under*

BOBBIN 1/4 x 1/2  
 CORE LE 25 .014 L0 N1  
 CASE CHANNEL FRAME  
 TERMINAL LEADS 3"  
 EMBEDMENT ACRYLIC SPRAY

NO. 7742  
 DATE APR 5 1977  
 CUSTOMER NO. OLIVER BERUNER  
 SERVICE 600w OUTPUT + 24 @ 70%



LEADS OUT TOP



	USE	DCR	WIRE	TURNS	TAP	INSULATION
I	PR1	34w	36 SS	190		
II	SEC	25w	32	190		