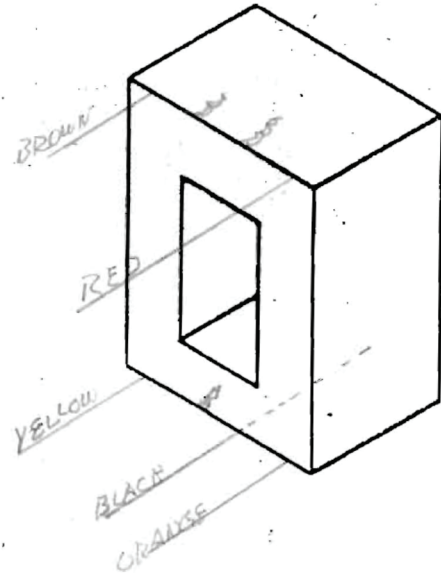
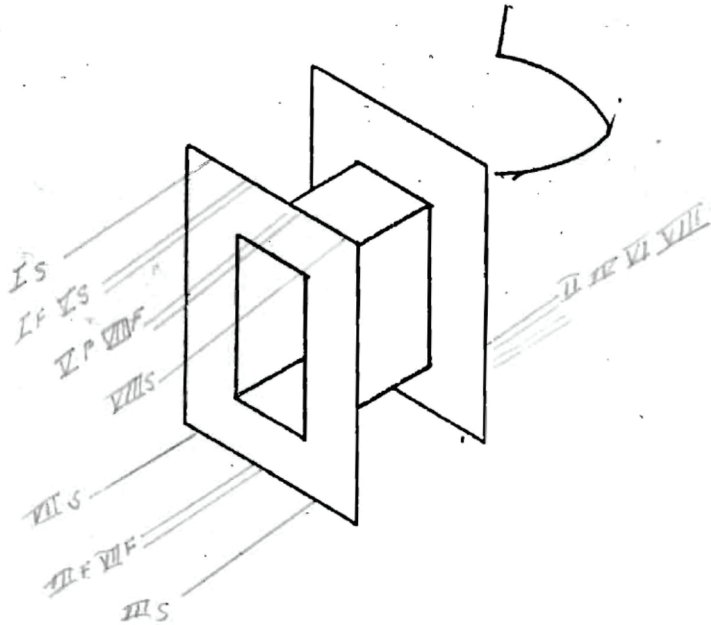


Reichenbach Engineering Company

SPECIALISTS IN QUALITY AUDIO TRANSFORMERS

BOBBIN NY-5
 CORE EE 186-187 .014 H/NI
 CASE AF
 TERMINAL LEADS
 EMBEDMENT _____

NO. 77111
 DATE NOV 10 1977
 CUSTOMER NO. _____
 SERVICE 150-27015K



	USE	DCR	WIRE	TURNS	TAP	INSULATION
I	PR1		36 SS	201	-	1L .0007 K
II	SHIELD		10050	1	-	3L