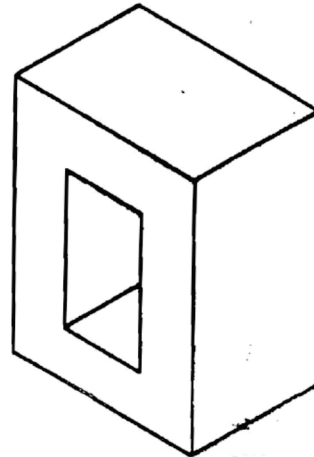
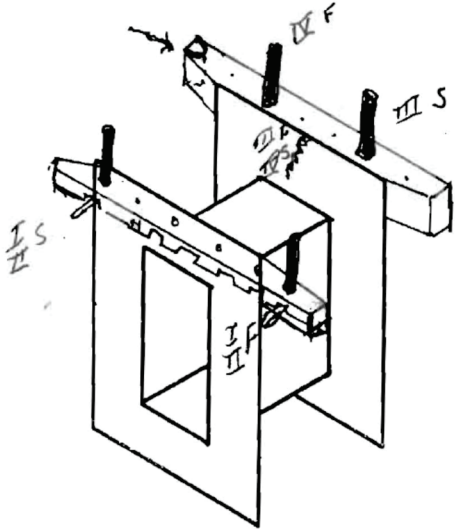


BOBBIN  $3/8$  12 PIN w/ PINS # 1, 3, 4, 6, 8, 9, 10, AND 11 REMOVED  
 CORE EC 375 29 GA 176 1x1  
 CASE \_\_\_\_\_  
 TERMINAL BOBBIN PINS 2, 5, 7, AND 12  
 EMBEDMENT \_\_\_\_\_

NO. 77103  
 DATE OCT 18 1977  
 CUSTOMER NO. JE-7103  
 SERVICE 1:2 OUTPUT



	USE	DCR	WIRE	TURNS	TAP	INSULATION
1	PR1		33 SS	660		
"						