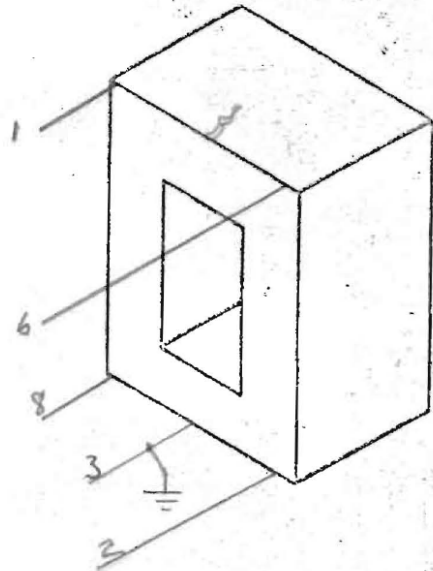
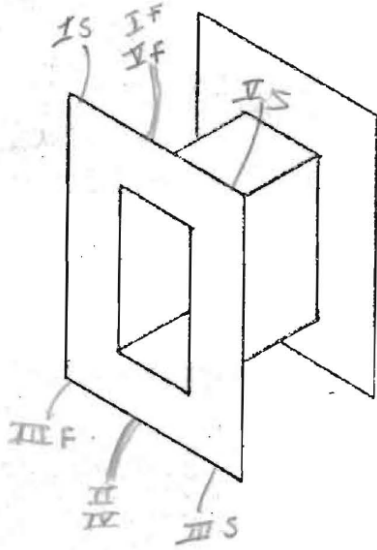
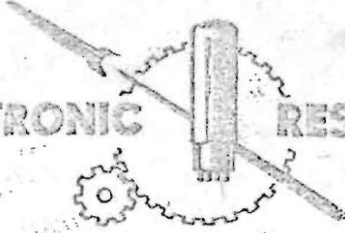


TRANSFORMER
INTERNATIONAL ELECTRONIC

DIVISION
RESEARCH CORPORATION

BOBBIN NY-8
CORE EE 26-27 .014 20 NI
CASE 2 0756
TERMINAL OCTAL PLUG
EMBEDMENT _____

NO. 7586
DATE AUG 26 1975
CUSTOMER NO. 5710032
SERVICE 600^Ω TO 20K 100K TERMINAL
+ 500M



TIE PINS 5 & 7

	USE	DCR	WIRE	TURNS	TAP	INSULATION
1	PR1		2505	519	-	1 LAYER .001 MYLAR