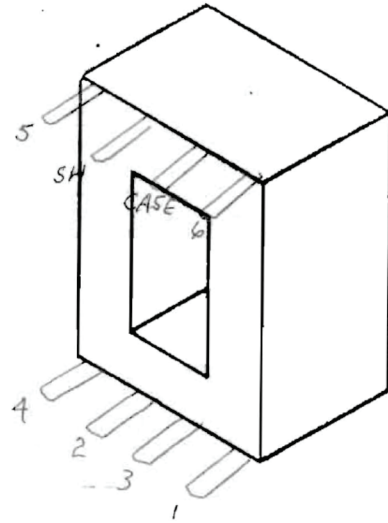
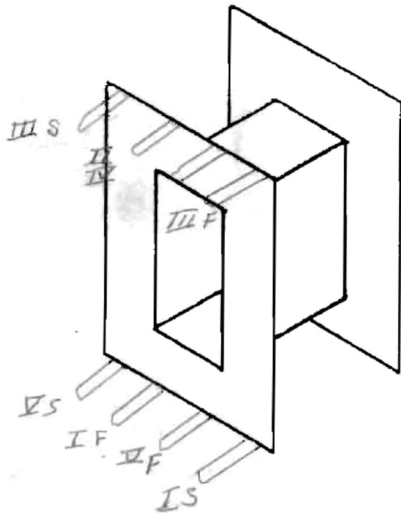


Reichenbach Engineering Company
 SPECIALISTS IN QUALITY AUDIO TRANSFORMERS

BOBBIN 8 PIN PC
 CORE LE 25 .014 H/NI
 CASE HE-20
 TERMINAL BOBBIN
 EMBEDMENT WAX

NO. 75112
 DATE NOV 15 1975
 CUSTOMER NO. SPHERE
 SERVICE 50/200 TO 14K
 (GAIN - 18.4 DB)

SS BETWEEN 4 & 5



	USE	DCR	WIRE	TURNS	TAP	INSULATION
I	PR1		37 SS	195	--	4 LAYERS .002K
II	SHIELD		0007 CU	1	--	6 " .002K