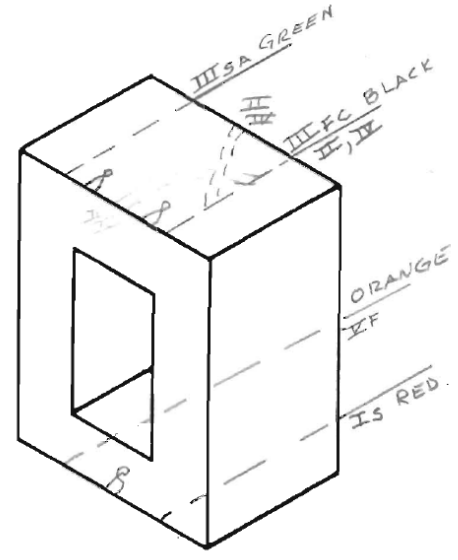
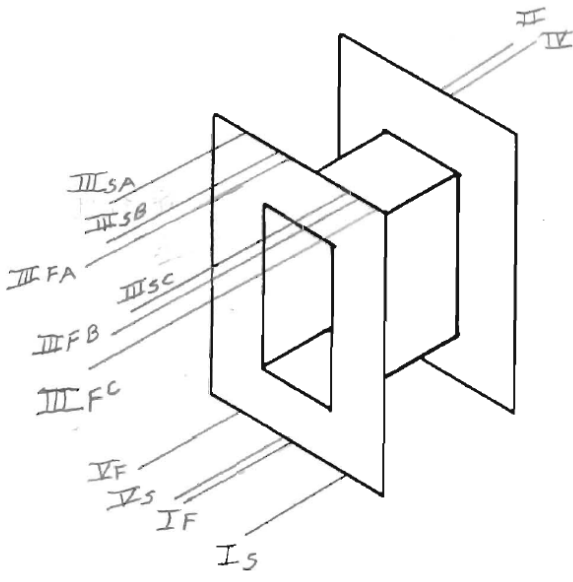


CINEMA MAGNETICS COMPANY



BOBBIN 5/8 x 3/4  
 CORE ET 62 Hi Ni  
 CASE MPCF & SHIELDS SH1002 SLOT  
 TERMINAL 26 GA 9"  
 EMBEDMENT ACRYLIC

NO. 10K96-M REQ 41  
 DATE 6/05/00  
 CUSTOMER NO. REQUISITE AUDIO  
 SERVICE OUTPUT XFMR  
4:1



	USE	DCR	WIRE	TURNS	TAP	INSULATION
1	SEC		33 CM	400		6L 1mil mvlar